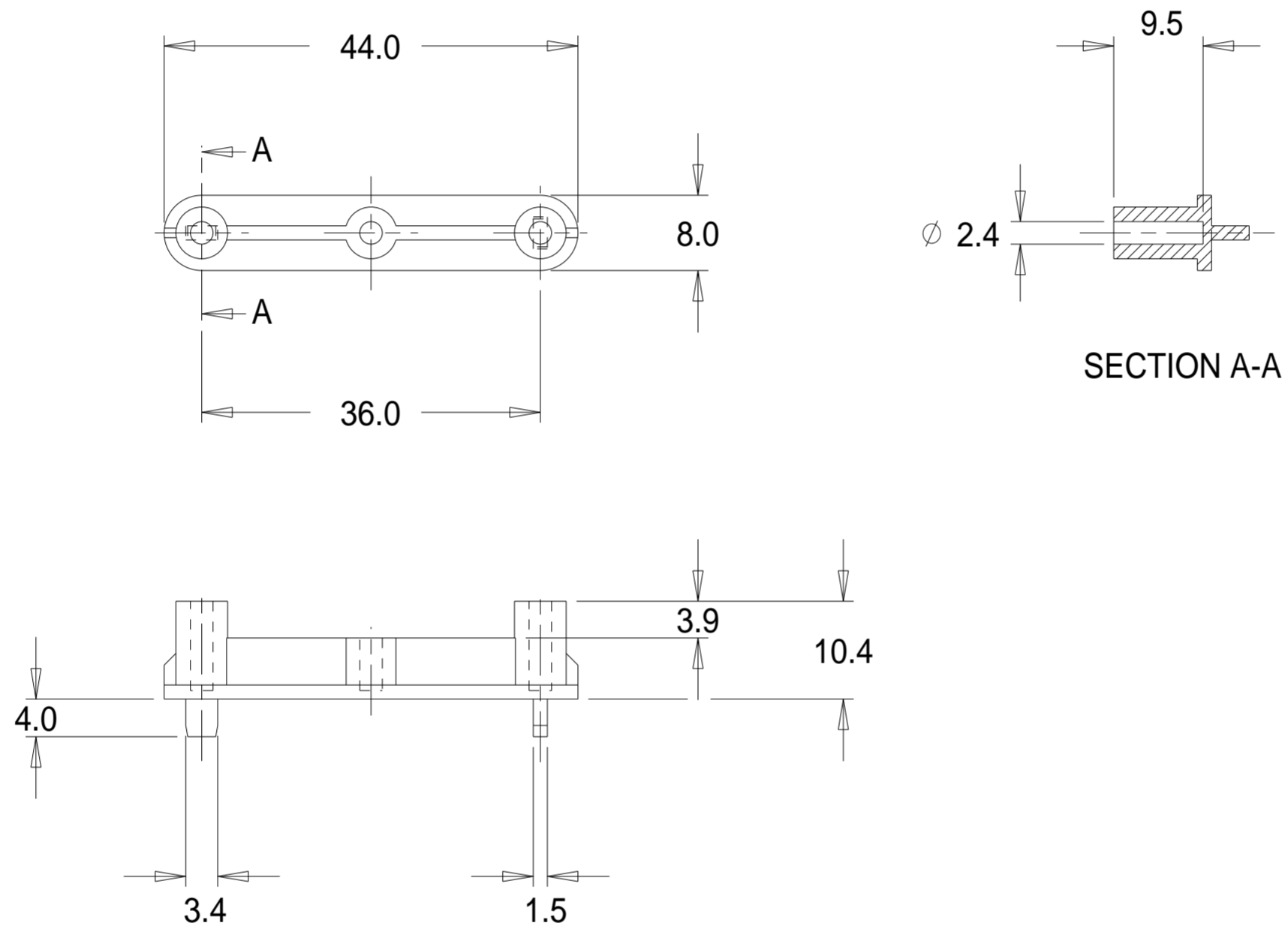


Part No. N54001

EI54 Base Fixture - Two Fixing Holes



Dimensions in millimetres.

